
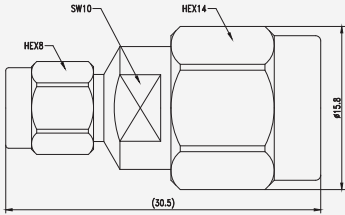

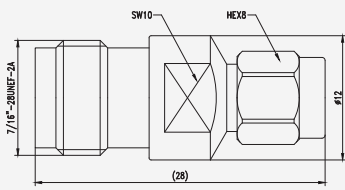

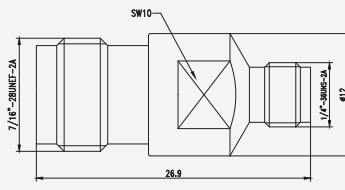


► S/T series

Frequency(GHz)	18G	Material/Surface treatment	
Standing wave	1.15	Outer conductor	Stainless steel/deactivation
Durability	3000times	Inner conductor	Beryllium bronze/gold-plated
		Insulator	PEI

S/T-JJG		
S/T-JKG		
S/T-KKG		
S/T-KJG	