
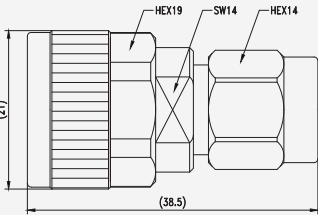

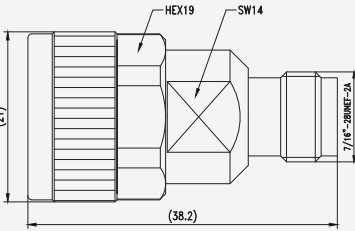

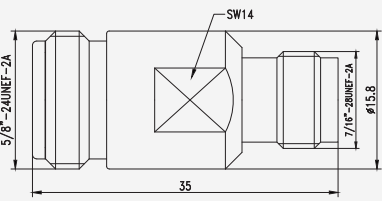


N/T series

Frequency(GHz)	18G	Material/Surface treatment	
Standing wave	1.20	Outer conductor	Stainless steel/deactivation
Durability	3000times	Inner conductor	Beryllium bronze/gold-plated
		Insulator	PEI

<p>N/T-JJG</p> 	
<p>N/T-JKG</p> 	
<p>N/T-KKG</p> 	
<p>N/T-KJG</p> 