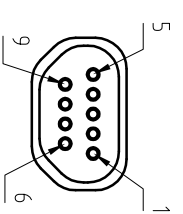
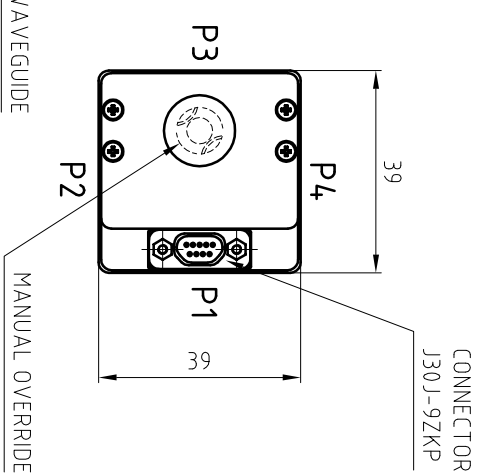
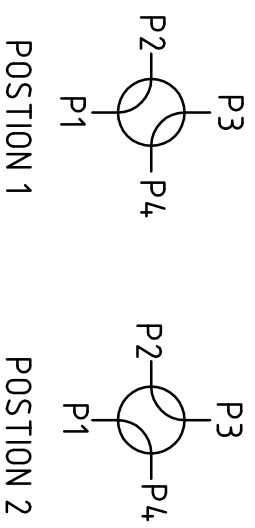
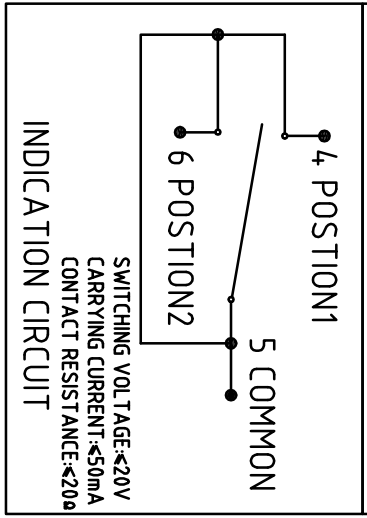
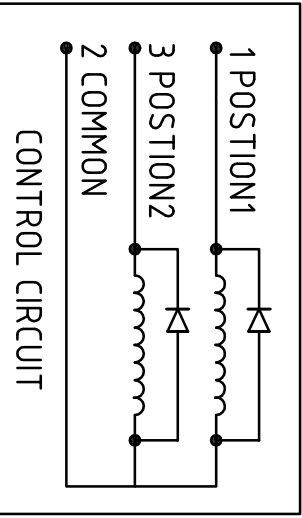


FLANGE: UG-387/U  
 BJ900 (WR10) RECTANGULAR WAVEGUIDE



### SPECIFICATION

- FREQ. RANGE: 75.0GHz--110.0GHz
- VSWR:  $\leq 1.25$
- INSERTION LOSS:  $\leq 0.60$ dB
- ISOLATION:  $\geq 50$ dB
- SWITCHING TIME:  $\leq 50$  ms
- VOLTAGE: 24 VDC, DURATION  $\geq 50$  ms
- CURRENT:  $\leq 625$ mA @ (24 VDC, 25°C)
- WORKING TEMPERATURE: -40°C--70°C
- LIFE: 100,000 CYCLES
- CONTROL MODE: LATCHING, MANUAL/ELECTRIC



EXCITATION AND SWITCH STATUS
1 VDC, 2 GND; 4-5 CONNECTED; POSITION 1
3 VDC, 2 GND; 6-5 CONNECTED; POSITION 2

Model: UG38710DB2401

BJ900(WR10) WAVEGUIDE SWITCH