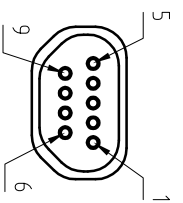
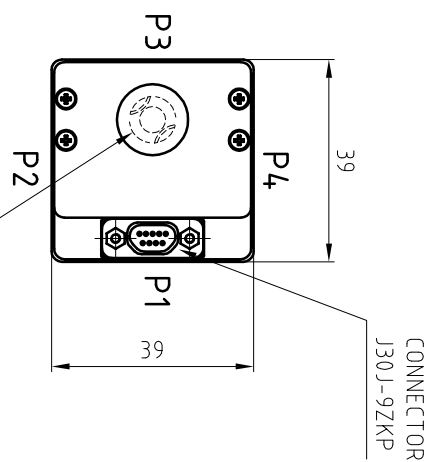
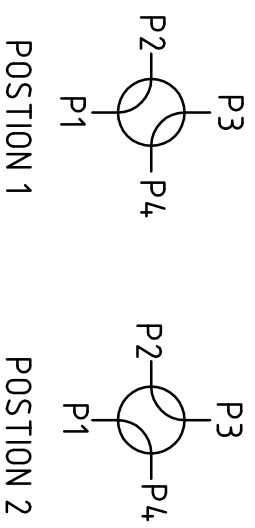
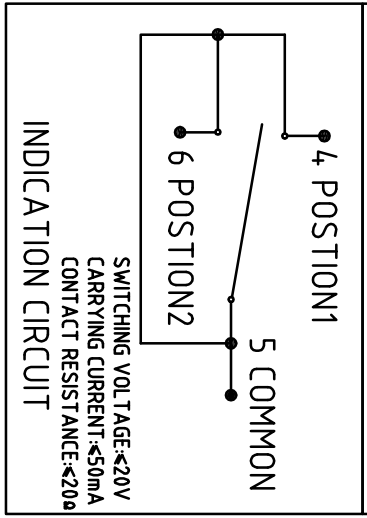
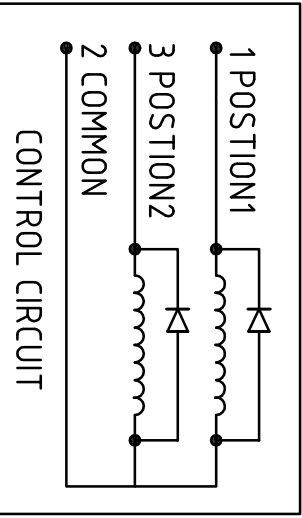


FLANGE: UG-3871/U
 BJ740 (WR12) RECTANGULAR WAVEGUIDE



SPECIFICATION

- FREQ. RANGE: 60.0GHz--90.0GHz
- VSWR: ≤ 1.25
- INSERTION LOSS: ≤ 0.50 dB
- ISOLATION: ≥ 50 dB
- SWITCHING TIME: ≤ 50 ms
- VOLTAGE: 24 VDC, DURATION ≥ 50 ms
- CURRENT: ≤ 625 mA @ (24 VDC, 25°C)
- WORKING TEMPERATURE: -40°C--70°C
- LIFE: 100,000 CYCLES
- CONTROL MODE: LATCHING, MANUAL/ELECTRIC



EXCITATION AND SWITCH STATUS
1 VDC, 2 GND; 4-5 CONNECTED; POSITION 1
3 VDC, 2 GND; 6-5 CONNECTED; POSITION 2

Model: UG38712DB2401

BJ740(WR12) WAVEGUIDE SWITCH