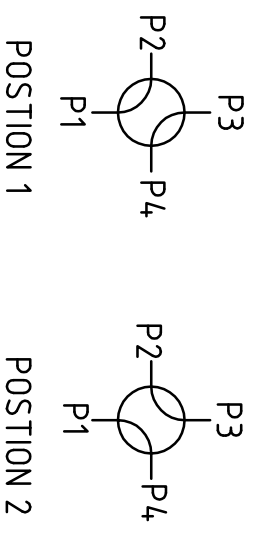
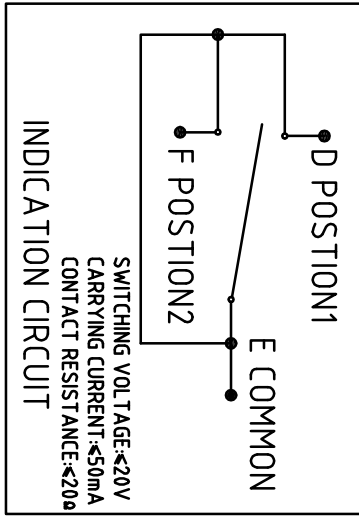
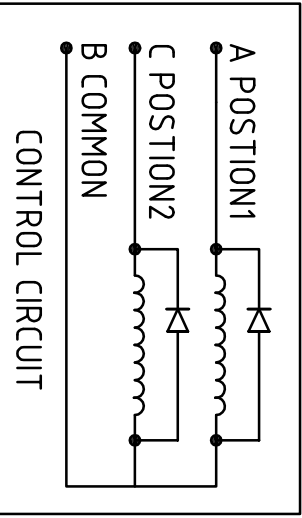


**SPECIFICATION**

- FREQ RANGE: 5.85GHz--8.20GHz
- VSWR:  $\leq 1.10$
- INSERTION LOSS:  $\leq 0.10$ dB
- ISOLATION:  $\geq 60$ dB
- SWITCHING TIME:  $\leq 50$  ms
- VOLTAGE: 24 VDC, DURATION  $\geq 50$  ms
- CURRENT:  $\leq 625$ mA@ (24 VDC, 25°C)
- WORKING TEMPERATURE: -40°C--70°C
- LIFE: 100,000 CYCLES
- CONTROL MODE: LATCHING, MANUAL/ELECTRIC



EXCITATION AND SWITCH STATUS
A VDC, B GND; D-E CONNECTED; POSITION 1
C VDC, B GND; F-E CONNECTED; POSITION 2

Model: FDP70DB2401

BJ70(WR137) WAVEGUIDE SWITCH