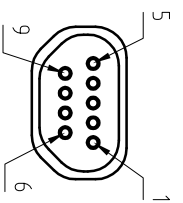
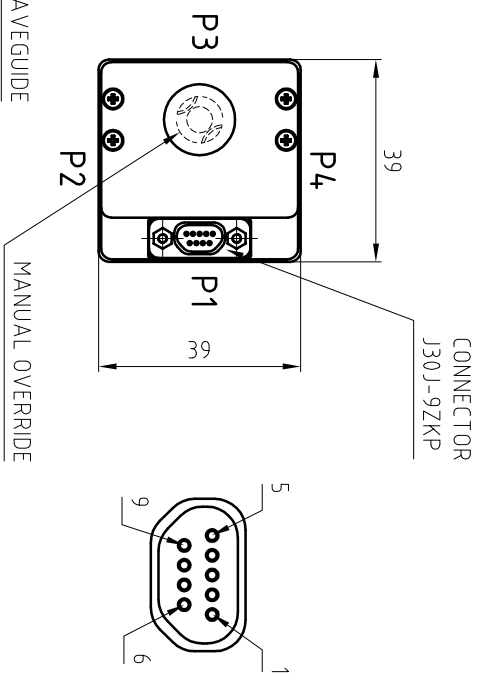
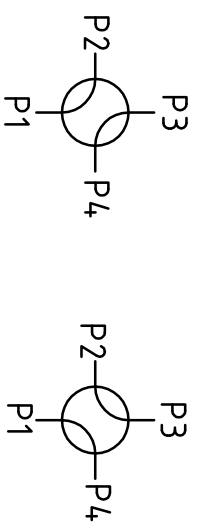
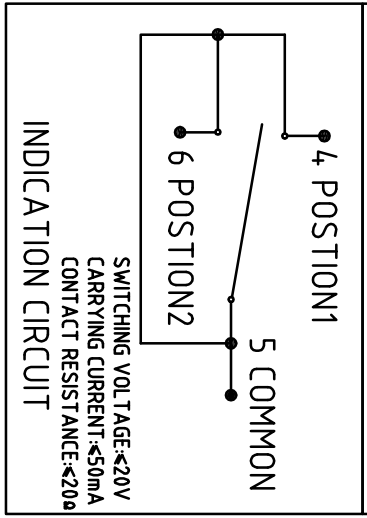
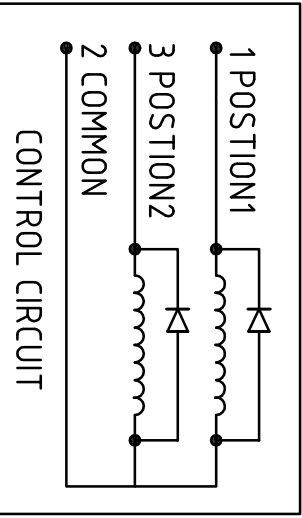


FLANGE: UG-385/U  
 B1620 (WR15) RECTANGULAR WAVEGUIDE



### SPECIFICATION

- FREQ. RANGE: 50.0GHz--75.0GHz
- VSWR:  $\leq 1.20$
- INSERTION LOSS:  $\leq 0.40$ DB
- ISOLATION:  $\geq 50$ DB
- SWITCHING TIME:  $\leq 50$  MS
- VOLTAGE: 24 VDC, DURATION  $\geq 50$  MS
- CURRENT:  $\leq 625$ mA @ (24 VDC, 25°C)
- WORKING TEMPERATURE: -40°C--70°C
- LIFE: 100,000 CYCLES
- CONTROL MODE: LATCHING, MANUAL/ELECTRIC



EXCITATION AND SWITCH STATUS
1 VDC, 2 GND; 4-5 CONNECTED; POSITION 1
3 VDC, 2 GND; 6-5 CONNECTED; POSITION 2

Model: UG38515DB2401

B1620(WR15) WAVEGUIDE SWITCH