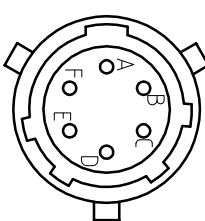
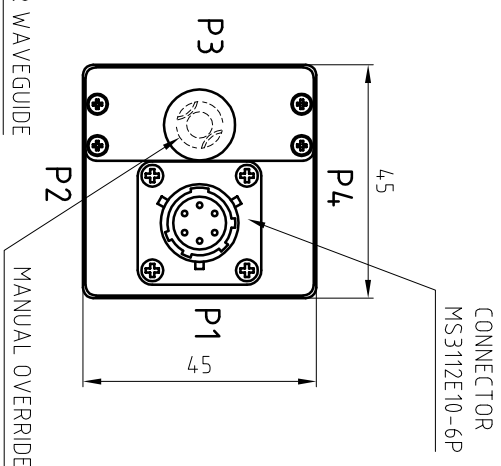
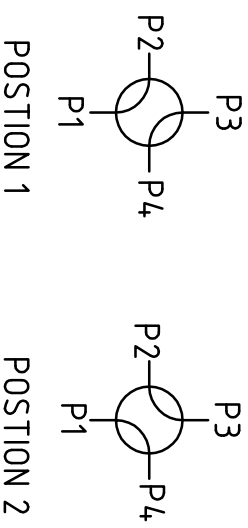
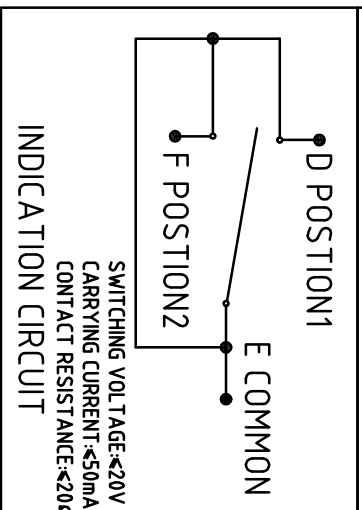
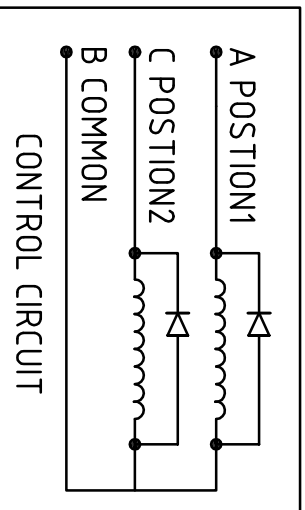


FLANGE: UG-383/U
BJ500 (WR19) RECTANGULAR WAVEGUIDE



SPECIFICATION

- FREQ RANGE: 4.0 GHz -- 60.0 GHz
- VSWR: ≤ 1.20
- INSERTION LOSS: ≤ 0.30 dB
- ISOLATION: ≥ 50 dB
- SWITCHING TIME: ≤ 50 ms
- VOLTAGE: 24 VDC, DURATION ≥ 50 ms
- CURRENT: ≤ 625 mA @ (24 VDC, 25°C)
- WORKING TEMPERATURE: -40°C -- 70°C
- LIFE: 100,000 CYCLES
- CONTROL MODE: LATCHING, MANUAL/ELECTRIC



EXCITATION AND SWITCH STATUS
A VDC, B GND; D-E CONNECTED; POSITION 1
C VDC, B GND; F-E CONNECTED; POSITION 2

Model: UG38319DB2401

BJ500(WR19) WAVEGUIDE SWITCH