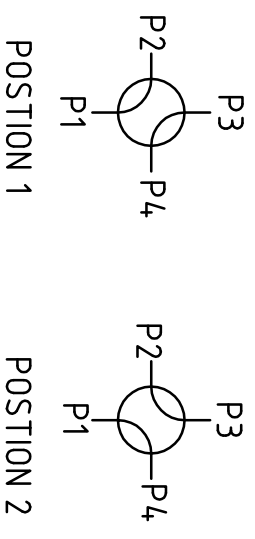
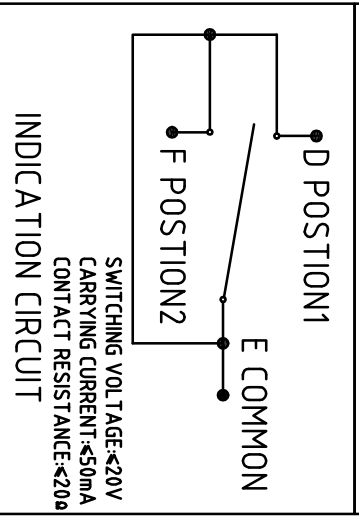
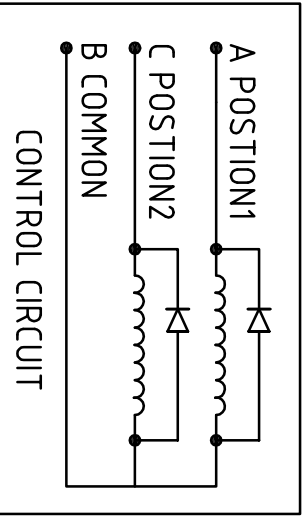


**SPECIFICATION**

- FREQ RANGE: 26.5GHz--40.0GHz
- VSWR: ≤1.15
- INSERTION LOSS: ≤0.15dB
- ISOLATION: ≥55dB
- SWITCHING TIME: ≤50 ms
- VOLTAGE: 24VDC, DURATION ≥50 ms
- CURRENT: ≤625mA@ (24VDC, 25°C)
- WORKING TEMPERATURE: -40°C--70°C
- LIFE: 100,000 CYCLES
- CONTROL MODE: LATCHING, MANUAL/ELECTRIC



EXCITATION AND SWITCH STATUS
A VDC, B GND; D-E CONNECTED; POSITION 1
C VDC, B GND; F-E CONNECTED; POSITION 2

Model:FBP320DB2401

BJ320(WR28) WAVEGUIDE SWITCH