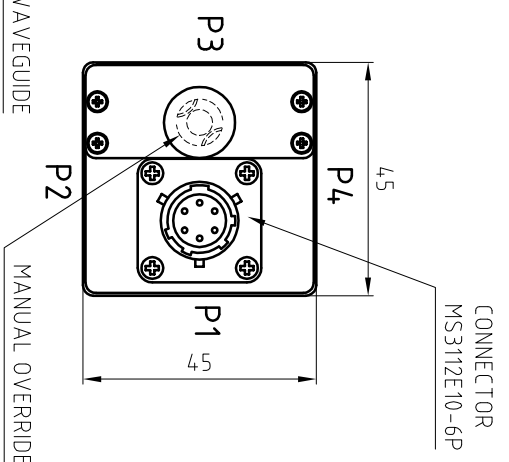
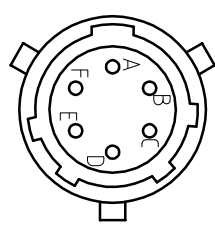


FLANGE: FBPP260
BJ260 (WR34) RECTANGULAR WAVEGUIDE

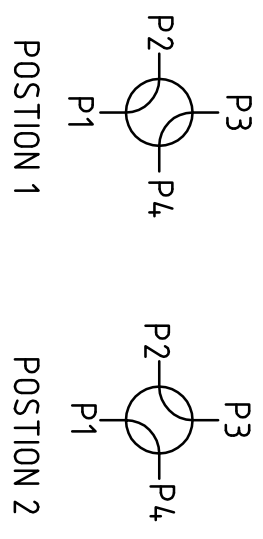
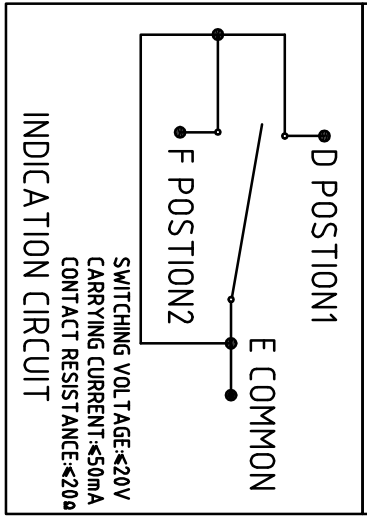
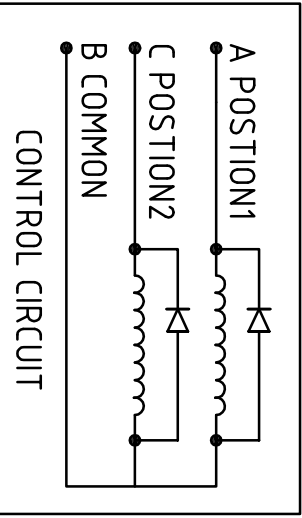


CONNECTOR
MS3112E10-6P



SPECIFICATION

- FREQ. RANGE: 22.0GHz--33.0GHz
- VSWR: ≤ 1.15
- INSERTION LOSS: ≤ 0.15 dB
- ISOLATION: ≥ 60 dB
- SWITCHING TIME: ≤ 50 ms
- VOLTAGE: 24 VDC, DURATION ≥ 50 ms
- CURRENT: ≤ 625 mA@ (24 VDC, 25 ^\circ C)
- WORKING TEMPERATURE: -40 ^\circ C--70 ^\circ C
- LIFE: 100,000 CYCLES
- CONTROL MODE: LATCHING, MANUAL/ELECTRIC



EXCITATION AND SWITCH STATUS
A VDC, B GND; D-E CONNECTED; POSITION 1
C VDC, B GND; F-E CONNECTED; POSITION 2

Model: FBPP260DB2401

BJ260 (WR34) WAVEGUIDE SWITCH