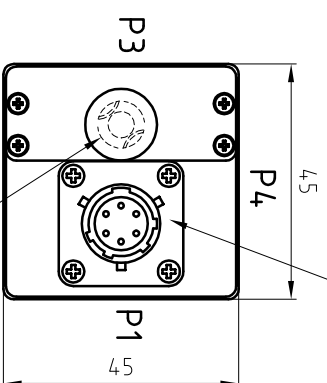
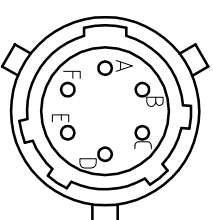


FLANGE: FBP180
BJ180 (WR51) RECTANGULAR WAVEGUIDE



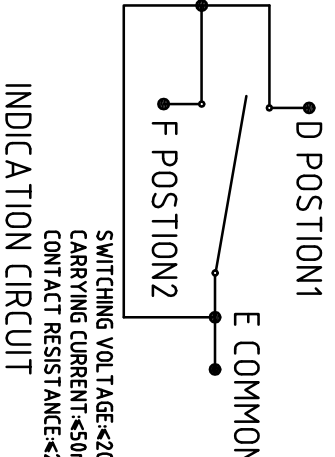
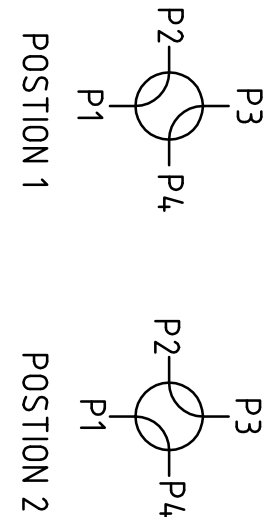
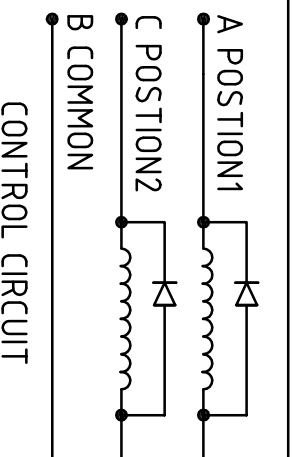
CONNECTOR
MS3112E10-6P

MANUAL OVERRIDE



SPECIFICATION

FREQ RANGE: 15.0GHz--22.0GHz
 VSWR: ≤ 1.10
 INSERTION LOSS: ≤ 0.10 dB
 ISOLATION: ≥ 60 dB
 SWITCHING TIME: ≤ 50 ms
 VOLTAGE: 24VDC, DURATION ≥ 50 ms
 CURRENT: ≤ 625 mA @ (24VDC, 25°C)
 WORKING TEMPERATURE: -40°C--70°C
 LIFE: 100,000 CYCLES
 CONTROL MODE: LATCHING, MANUAL/ELECTRIC



EXCITATION AND SWITCH STATUS
A VDC, B GND, D-E CONNECTED, POSITION 1
C VDC, B GND, F-E CONNECTED, POSITION 2

Model: FBP180DB2401

BJ180(WR51) WAVEGUIDE SWITCH