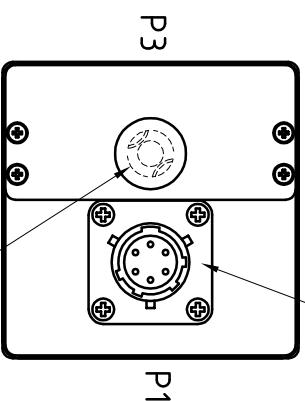
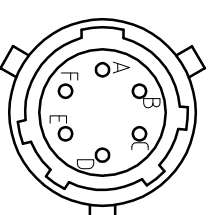


FLANGE: FBP100
B J100 (WR90) RECTANGULAR WAVEGUIDE

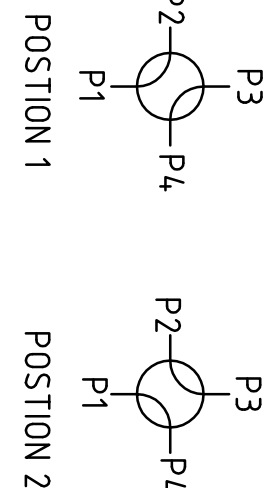
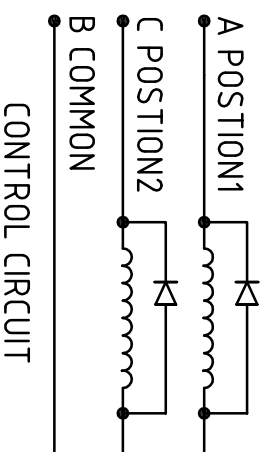


CONNECTOR
MS3112E10-6P



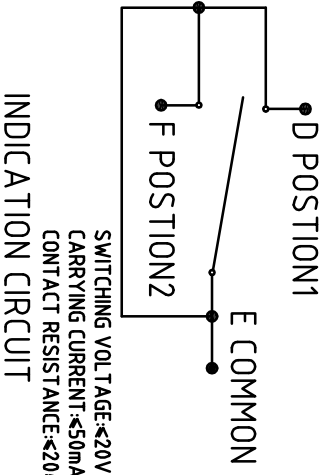
SPECIFICATION

- FREQ RANGE: 8.2GHz--12.4GHz
- VSWR: ≤ 1.10
- INSERTION LOSS: ≤ 0.10 dB
- ISOLATION: ≥ 60 dB
- SWITCHING TIME: ≤ 50 ms
- VOLTAGE: 24 VDC, DURATION ≥ 50 ms
- CURRENT: ≤ 625 mA@ (24 VDC, 25°C)
- WORKING TEMPERATURE: -40°C--70°C
- LIFE: 100,000 CYCLES
- CONTROL MODE: LATCHING, MANUAL/ELECTRIC



EXCITATION AND SWITCH STATUS

- A VDC, B GND; D-E CONNECTED; POSITION 1
- C VDC, B GND; F-E CONNECTED; POSITION 2



SWITCHING VOLTAGE: ≤ 20 V
CARRYING CURRENT: ≤ 50 mA
CONTACT RESISTANCE: ≤ 20 Ω

INDICATION CIRCUIT

Model: FBP100DB2401

B J100(WR90) WAVEGUIDE SWITCH