
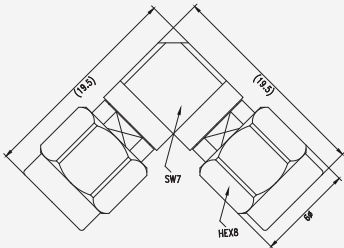

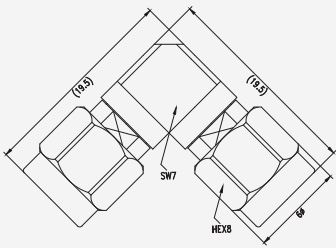


► 35/35 series

Frequency(GHz)	26.5G	Material/Surface treatment	
Standing wave	1.25	Outer conductor	Stainless steel/deactivation
Durability	3000times	Inner conductor	Beryllium bronze/gold-plated
		Insulator	PEI

<p>35/35-JWJG</p> 	
<p>35/35-JWKG</p> 	
<p>35/35-KWKG</p> 