

SPDT 50GHz

Load
Failsafe / Latching

◆ RF Characteristics

Frequency (GHz)	Ins.loss (dB)	Isolation (dB)	VSWR	RF Power CW (W)
DC-6	0.3	70	1.3	40
6-12	0.4	60	1.4	30
12-18	0.5	55	1.5	25
18-26.5	0.6	50	1.6	12
26.5-32	0.8	50	1.8	8
32-40	0.9	50	1.9	5
40-43	1.0	50	2.0	4
43-50	1.1	50	2.1	3

◆ Operating Voltage/Coil Current

Operating Voltage(V)	12	24	28
Coil Current (mA)	Failsafe 350	200	180
	Latching 400	200	185

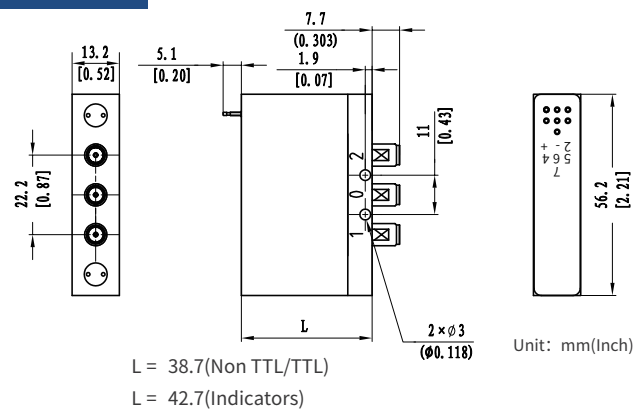
* It can be selected according to user requirements

TTL	TTL Low(V)	TTL High	
	0-0.3	3~5V	20mA
Indicators	Withstand Voltage V (max)	Current capacity mA (max)	Resistance Ω (max)
	50	100	15

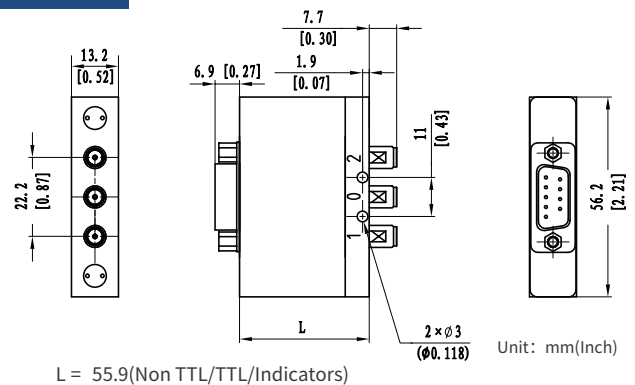
* Connect VDC&GND before the function operates

◆ Outline Drawing

Solder Pins



D-SUB Male



◆ Product Functions

- DC to 50GHz
- Low loss, Low VSWR, High Isolation
- 1.85 Connector
- Selectable TTL driver control

◆ Specifications

Switching Sequence: Break before Make

Switching Time: 15ms max

Storage temperature: -55°C~85°C

Operating temperature: -25°C~65°C(Standard)
-45°C~85°C(Extended1)
-55°C~85°C(Extended2)

Mechanical Life Cycles: 2 million cycles

RF Connectors: 1.85 Female

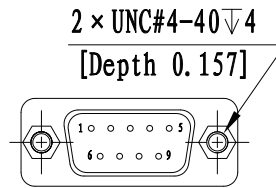
Impedance: 50Ω

Mechanical Shock,Non-Operating: 50G、1/2 Sine、11 ms

Vibration Operating: 20-2000 Hz、10G RMS

Actuator Terminals: Solder Pins/D-SUB 9Pin Male

Weight: 75g



DB9 male

◆ Truth Table

Failsafe Non TTL			
Actuator Terminals		RF Connector	
Solder Pins/D-SUB 9Pin Male			
Pin No.	Define	No Power,RF 1-0	
1	V	RF 2-0	
2	N/A	-	
3	GND	-	
4	Ind.1	Indicators	RF 1-0
5	Ind.2		RF 2-0
6	Ind.com		-
7	VDC		-
8~9	N/A	-	

Failsafe TTL			
Actuator Terminals		RF Connector	
Solder Pins/D-SUB 9Pin Male			
Pin No.	Define	No Power,RF 1-0	
1	VDC	RF 2-0	
2	TTL	-	
3	GND	-	
4	Ind.1	Indicators	RF 1-0
5	Ind.2		RF 2-0
6	Ind.com		-
7~9	N/A	-	

Latching Non TTL			
Actuator Terminals		RF Connector	
Solder Pins/D-SUB 9Pin Male			
Pin No.	Define	-	
1	V1	RF 1-0	
2	V2	RF 2-0	
3	GND	-	
4	Ind.1	Indicators	RF 1-0
5	Ind.2		RF 2-0
6	Ind.com		-
7	VDC		-
8~9	N/A	-	

Latching TTL			
Actuator Terminals		RF Connector	
Solder Pins/D-SUB 9Pin Male			
Pin No.	Define	-	
1	VDC	-	
2	TTL	RF 1-0	
3	GND	-	
4	TTL	RF 2-0	
5	Ind.1	Indicators	RF 1-0
6	Ind.2		RF 2-0
7	Ind.com		-
8~9	N/A	-	

◆ Product Selection

Series	Number Of Positions	Rf Connectors	Type	Frequency	Actuator Voltage	Load	Driver	Operating Temperature	Install	Actuator Terminals
E	2	5		50		T			S	
Standard Series	SP2T	1.85mm	L:Latching F:Failsafe	DC~50GHz	05:5V 12:12V 24:24V 28:28V	Load	0:Ground Plane 1:TTL Driver 2:Positive Common 3:Self Cutoff 4:Ground Plane And Indicators 5:TTL driver And Indicators 6:Positive Common And Indicators	0:Standard (-25°C~65°C) 1:Extended1 (-45°C~85°C) 2:Extended2 (-55°C~85°C)	Normal	0:Solder Pins 1:D-Sub 9 Male (2 rows)

★ EXP: E25L5005T00S0: Standard Series、SP2T、1.85mm、Latching、DC~50GHz、5V、Load、Ground Plane、Standard、Normal、Solder Pins.