

# SP9T-10T N 6GHz

High Power  
Normally open

## ◆ RF Characteristics

Frequency (GHz)	Ins.loss (dB)	Isolation (dB)	VSWR	RF Power CW (W)
DC-4	0.3	70	1.3	350
4-6	0.4	70	1.6	300



## ◆ Operating Voltage/Coil Current

Operating Voltage(V)	12	24	28	
Coil Current (mA)	Normally open	300	150	140

\* It can be selected according to user requirements

TTL	TTL Low(V)	TTL High	
	0-0.3	3~5V	1.4mA

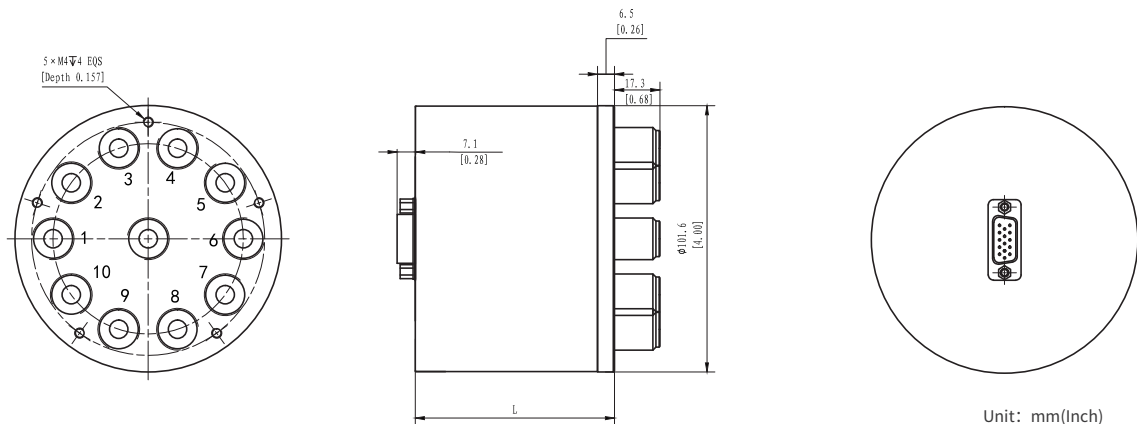
Indicators	Withstand Voltage V (max)	Current capacity mA(max)	Resistance Ω (max)
	50	100	15

\* Connect VDC & GND before the function operates

## ◆ Product Functions

- DC to 6GHz
- Low loss, Low VSWR, High Isolation
- N Female Connector
- Selectable TTL driver control

## ◆ Outline Drawing



L = 76(Non TTL/TTL/Indicators)

## ◆ Specifications

Switching Sequence: Break before Make

Switching Time: 15ms max

Storage temperature: -55°C~85°C

Operating temperature: -25°C~65°C(Standard)  
-45°C~85°C(Extended1)  
-55°C~85°C(Extended2)

Mechanical Life Cycles: 2 million cycles

RF Connectors: N Female

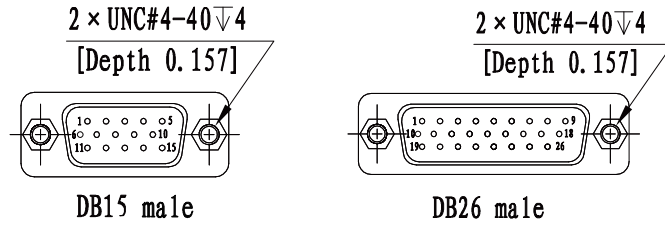
Impedance: 50Ω

Mechanical Shock,Non-Operating: 50G、1/2 Sine、11 ms

Vibration Operating: 20-2000 Hz、10G RMS

Actuator Terminals: D-SUB 15Pin Male

Weight: 2010g



DB15 male

DB26 male

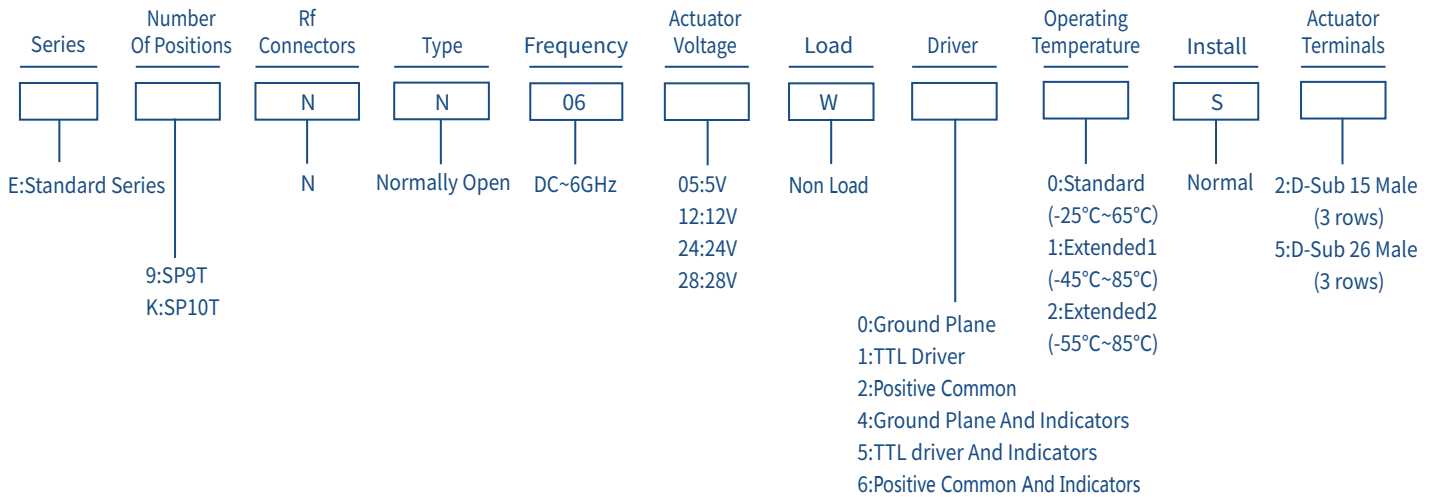
\* No indication function, control interface DB15 Male.

◆ Truth Table

Normally open Non TTL				
Actuator Terminals		RF Connector		
D-SUB 15/26Pin Male				
Pin No.	Define	SP7T	SP8T	
1	V1	RF 1-0	RF 1-0	
2	V2	RF 2-0	RF 2-0	
3	V3	RF 3-0	RF 3-0	
4	V4	RF 4-0	RF 4-0	
5	V5	RF 5-0	RF 5-0	
6	V6	RF 6-0	RF 6-0	
7	V7	RF 7-0	RF 7-0	
8	V8	-	RF 8-0	
9	GND	-	-	
10	Ind.1	Indicators	RF 1-0	
11	Ind.2		RF 2-0	
12	Ind.3		RF 3-0	
13	Ind.4		RF 4-0	
14	Ind.5		RF 5-0	
15	Ind.6		RF 6-0	
16	Ind.7		RF 7-0	
17	Ind.8		-	RF 8-0
18	Ind.com		-	-
19	VDC	-	-	
20~26	N/A	-	-	

Normally open TTL				
Actuator Terminals		RF Connector		
D-SUB 15/26Pin Male				
Pin No.	Define	SP7T	SP8T	
1	TTL	RF 1-0	RF 1-0	
2	TTL	RF 2-0	RF 2-0	
3	TTL	RF 3-0	RF 3-0	
4	TTL	RF 4-0	RF 4-0	
5	TTL	RF 5-0	RF 5-0	
6	TTL	RF 6-0	RF 6-0	
7	TTL	RF 7-0	RF 7-0	
8	TTL	-	RF 8-0	
9	VDC	-	-	
10	GND	-	-	
11	Ind.1	Indicators	RF 1-0	
12	Ind.2		RF 2-0	
13	Ind.3		RF 3-0	
14	Ind.4		RF 4-0	
15	Ind.5		RF 5-0	
16	Ind.6		RF 6-0	
17	Ind.7		RF 7-0	
18	Ind.8		-	RF 8-0
19	Ind.com		-	-
20~26	N/A	-	-	

◆ Product Selection



★ EXP: E9NN0612W00S2: Standard Series、SP9T、N、Normally Open、DC~6GHz、12V、Non Load、Ground Plane、Standard、Normal、D-Sub 15 Male.