

SPDT 43.5GHz

Failsafe / Latching

◆ RF Characteristics

Frequency (GHz)	Ins.loss (dB)	Isolation (dB)	VSWR	RF Power CW (W)
DC-6	0.2	70	1.2	40
6-12	0.3	70	1.3	30
12-18	0.4	60	1.4	25
18-26.5	0.6	55	1.6	12
26.5-32	0.7	50	1.7	8
32-40	0.8	50	1.8	5
40-43.5	0.8	50	1.8	4



◆ Operating Voltage/Coil Current

Operating Voltage(V)		12	24	28
Coil Current (mA)	Failsafe	195	100	95
	Latching	230	140	120

* It can be selected according to user requirements

TTL	TTL Low(V)	TTL High	
	0-0.3	3~5V	20mA

Indicators	Withstand Voltage V (max)	Current capacity mA(max)	Resistance Ω (max)
	50	100	15

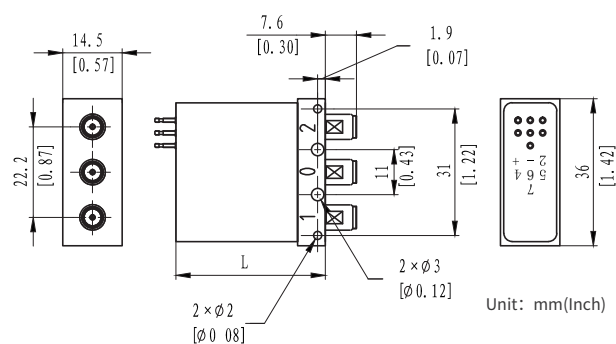
* Connect VDC & GND before the function operates

◆ Product Functions

- DC to 43.5GHz
- 2.92 Connector
- Selectable TTL driver control

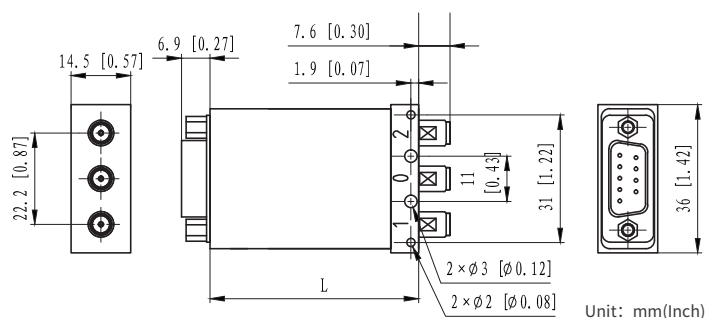
◆ Outline Drawing

Solder Pins



L = 36.5(Non TTL/TTL)
L = 42.5(Indicators)

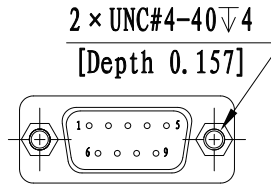
D-SUB Male



L = 50.7(Non TTL/TTL)
L = 55.7(Indicators)

◆ Specifications

Switching Sequence: Break before Make	Mechanical Life Cycles: 2 million cycles	Mechanical Shock, Non-Operating: 50G, 1/2 Sine, 11 ms
Switching Time: 15ms max	RF Connectors: 2.92 Female	Vibration Operating: 20-2000 Hz, 10G RMS
Storage temperature: -55°C~85°C	Impedance: 50Ω	Actuator Terminals: Solder Pins/D-SUB 9Pin Male
Operating temperature: -25°C~65°C(Standard)		Weight: 45g
-45°C~85°C(Extended1)		
-55°C~85°C(Extended2)		



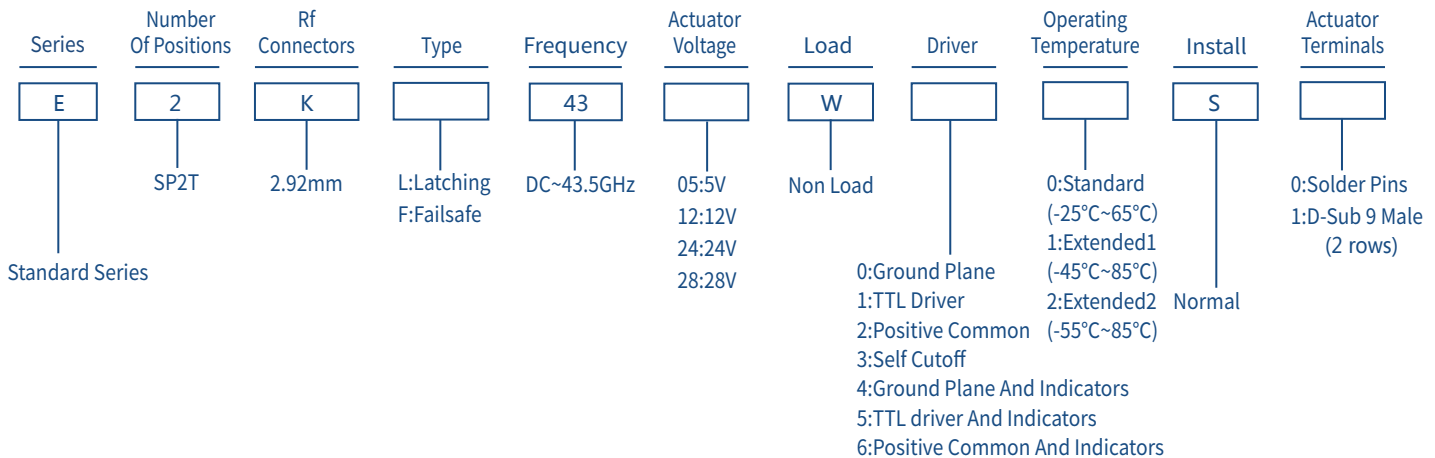
DB9 male

◆ Truth Table

Failsafe Non TTL				Failsafe TTL			
Actuator Terminals			RF Connector	Actuator Terminals			RF Connector
Solder Pins/D-SUB 9Pin Male				Solder Pins/D-SUB 9Pin Male			
Pin No.	Define		No Power,RF 1-0	Pin No.	Define		No Power,RF 1-0
1	V		RF 2-0	1	VDC		RF 2-0
2	N/A		-	2	TTL		-
3	GND		-	3	GND		-
4	Ind.1	Indicators	RF 1-0	4	Ind.1	Indicators	RF 1-0
5	Ind.2		RF 2-0	5	Ind.2		RF 2-0
6	Ind.com		-	6	Ind.com		-
7	VDC		-	7~9	N/A		-
8~9	N/A		-				

Latching Non TTL				Latching TTL			
Actuator Terminals			RF Connector	Actuator Terminals			RF Connector
Solder Pins/D-SUB 9Pin Male				Solder Pins/D-SUB 9Pin Male			
Pin No.	Define		-	Pin No.	Define		-
1	V1		RF 1-0	1	VDC		-
2	V2		RF 2-0	2	TTL		RF 1-0
3	GND		-	3	GND		-
4	Ind.1	Indicators	RF 1-0	4	TTL		RF 2-0
5	Ind.2		RF 2-0	5	Ind.1	Indicators	RF 1-0
6	Ind.com		-	6	Ind.2		RF 2-0
7	VDC		-	7	Ind.com		-
8~9	N/A		-	8~9	N/A		-

◆ Product Selection



★ EXP: E2KL4305W00S0: Standard Series、SP2T、2.92mm、Latching、DC~43.5GHz、5V、Non Load、Ground Plane、Standard、Normal、Solder pins.