
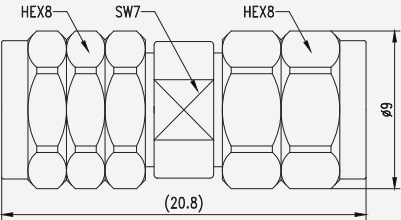

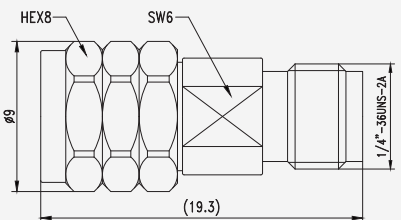

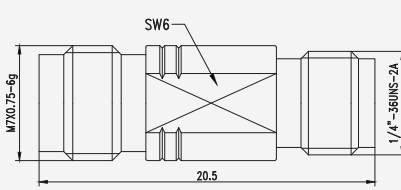

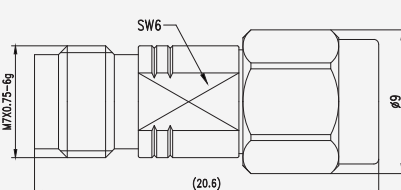


► 185/K series

| Frequency(GHz) | 40G | Material/Surface treatment | |
|----------------|-----------|----------------------------|------------------------------|
| Standing wave | 1.15 | Outer conductor | Stainless steel/deactivation |
| Durability | 1000times | Inner conductor | Beryllium bronze/gold-plated |
| | | Insulator | PEI |

| | |
|---|--|
| <p>185/K-JJG</p>  |  |
| <p>185/K--JKG</p>  |  |
| <p>185/K--KKG</p>  |  |
| <p>185/K--KJG</p>  |  |