
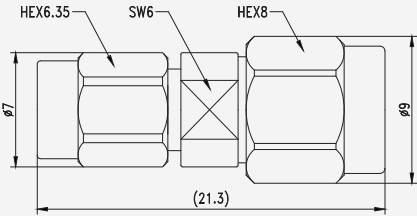

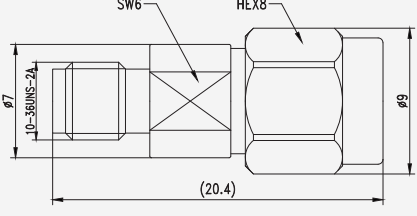

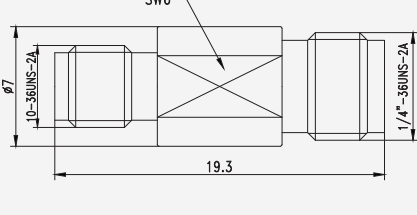

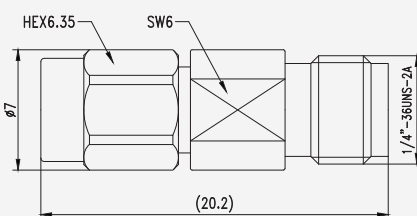


► K/2S series

| Frequency(GHz) | 40G       | Material/Surface treatment |                              |
|----------------|-----------|----------------------------|------------------------------|
| Standing wave  | 1.15      | Outer conductor            | Stainless steel/deactivation |
| Durability     | 3000times | Inner conductor            | Beryllium bronze/gold-plated |
|                |           | Insulator                  | PEI                          |

|   |   |
|---|---|
| <p>K/2S-JJG</p>    |                             |
| <p>K/2S-JKG</p>   |                            |
| <p>K/2S-KKG</p>  |    |
| <p>K/2S-KJG</p>  |  |