

# SP11T-12T 18GHz

Normally open

## ◆ RF Characteristics

Frequency (GHz)	Ins.loss (dB)	Isolation (dB)	VSWR	RF Power CW (W)
DC-6	0.3	70	1.3	80
6-12	0.4	60	1.4	60
12-18	0.6	50	1.6	50



## ◆ Operating Voltage/Coil Current

Operating Voltage(V)	12	24	28	
Coil Current (mA)	Normally open	300	150	140

\* It can be selected according to user requirements

TTL	TTL Low(V)	TTL High	
	0-0.3	3~5V	1.4mA

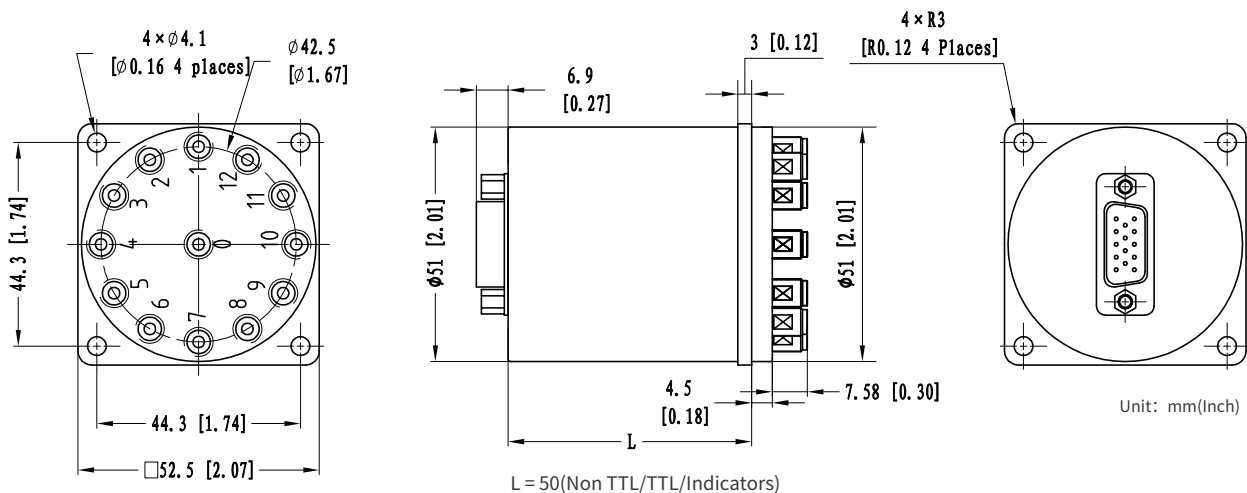
Indicators	Withstand Voltage V (max)	Current capacity mA(max)	Resistance Ω (max)
	50	100	15

\* Connect VDC & GND before the function operates

## ◆ Product Functions

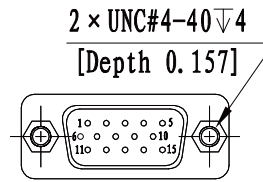
- DC to 18GHz
- Low loss, Low VSWR, High Isolation
- SMA Connector
- Selectable TTL driver control

## ◆ Outline Drawing



## ◆ Specifications

Switching Sequence: Break before Make	Mechanical Life Cycles: 2 million cycles	Mechanical Shock, Non-Operating: 50G, 1/2 Sine, 11 ms
Switching Time: 15ms max	RF Connectors: SMA Female	Vibration Operating: 20-2000 Hz, 10G RMS
Storage temperature: -55°C~85°C	Impedance: 50Ω	Actuator Terminals: D-SUB 15Pin Male
Operating temperature: -25°C~65°C(Standard)		Weight: 225g
-45°C~85°C(Extended1)		
-55°C~85°C(Extended2)		

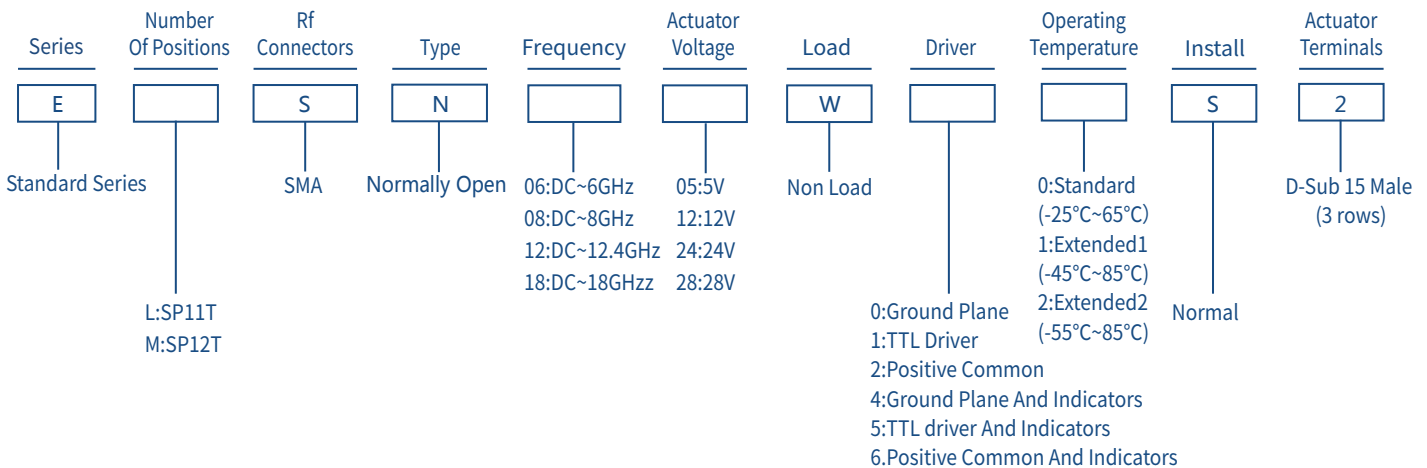


DB15 male

◆ Truth Table

Normally open Non TTL				Normally open TTL			
Actuator Terminals		RF Connector		Actuator Terminals		RF Connector	
D-SUB 15Pin Male				D-SUB 15Pin Male			
Pin No.	Define	SP11T	SP12T	Pin No.	Define	SP11T	SP12T
1	V1	RF 1-0	RF 1-0	1	TTL	RF 1-0	RF 1-0
2	V2	RF 2-0	RF 2-0	2	TTL	RF 2-0	RF 2-0
3	V3	RF 3-0	RF 3-0	3	TTL	RF 3-0	RF 3-0
4	V4	RF 4-0	RF 4-0	4	TTL	RF 4-0	RF 4-0
5	V5	RF 5-0	RF 5-0	5	TTL	RF 5-0	RF 5-0
6	V6	RF 6-0	RF 6-0	6	TTL	RF 6-0	RF 6-0
7	V7	RF 7-0	RF 7-0	7	TTL	RF 7-0	RF 7-0
8	V8	RF 8-0	RF 8-0	8	TTL	RF 8-0	RF 8-0
9	V9	RF 9-0	RF 9-0	9	TTL	RF 9-0	RF 9-0
10	V10	RF 10-0	RF 10-0	10	TTL	RF 10-0	RF 10-0
11	V11	RF 11-0	RF 11-0	11	TTL	RF 11-0	RF 11-0
12	V12	-	RF 12-0	12	TTL	-	RF 12-0
13	GND	-	-	13	VDC	-	-
14~15	N/A	-	-	14	GND	-	-
				15	N/A	-	-

◆ Product Selection



★ EXP: ELSN0605W00S2: Standard Series, SP11T, SMA, Normally Open, DC-6GHz, 5V, Non Load, Ground Plane, Standard, Normal, D-Sub 15 Male.