

SPDT 26.5GHz

Failsafe / Latching

◆ RF Characteristics

Frequency (GHz)	Ins.loss (dB)	Isolation (dB)	VSWR	RF Power CW (W)
DC-6	0.2	70	1.2	80
6-12	0.3	70	1.3	60
12-18	0.4	60	1.4	50
18-26.5	0.6	55	1.6	15

◆ Operating Voltage/Coil Current

Coil Current (mA)	Operating Voltage(V)			
	12	24	28	
Failsafe	195	100	95	
	Latching	230	140	120

* It can be selected according to user requirements

TTL	TTL Low(V)	TTL High	
	0-0.3	3~5V	20mA

Indicators	Withstand Voltage V (max)	Current capacity mA(max)	Resistance Ω (max)
		50	100

* Connect VDC & GND before the function operates

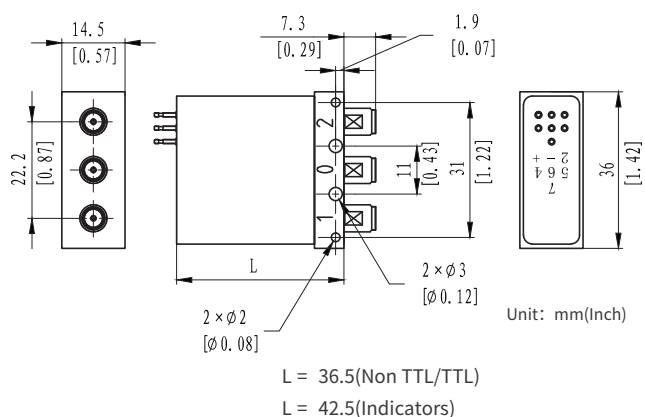


◆ Product Functions

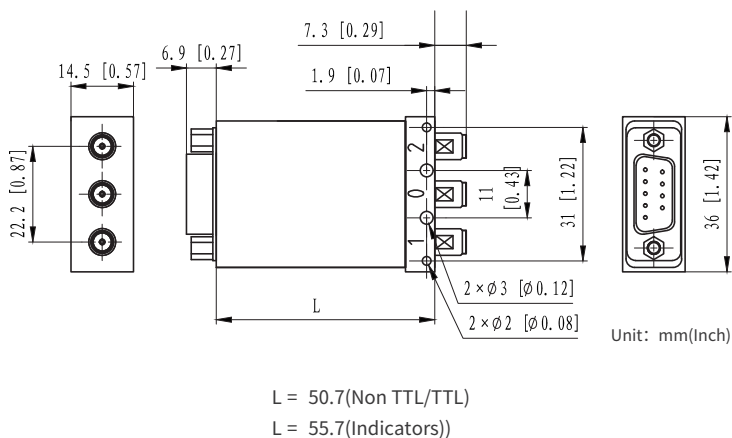
- DC to 26.5GHz
- Low loss, Low VSWR, High Isolation
- SMA Connector
- Selectable TTL driver control

◆ Outline Drawing

Solder Pins

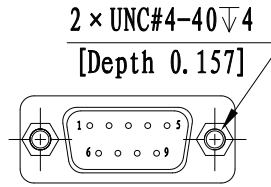


D-SUB Male



◆ Specifications

Switching Sequence: Break before Make	Mechanical Life Cycles: 2 million cycles	Mechanical Shock, Non-Operating: 50G、1/2 Sine、11 ms
Switching Time: 15ms max	RF Connectors: SMA Female	Vibration Operating: 20-2000 Hz、10G RMS
Storage temperature: -55°C~85°C	Impedance: 50Ω	Actuator Terminals: Solder Pins/D-SUB 9Pin Male
Operating temperature: -25°C~65°C(Standard)		Weight: 45g
-45°C~85°C(Extended1)		
-55°C~85°C(Extended2)		



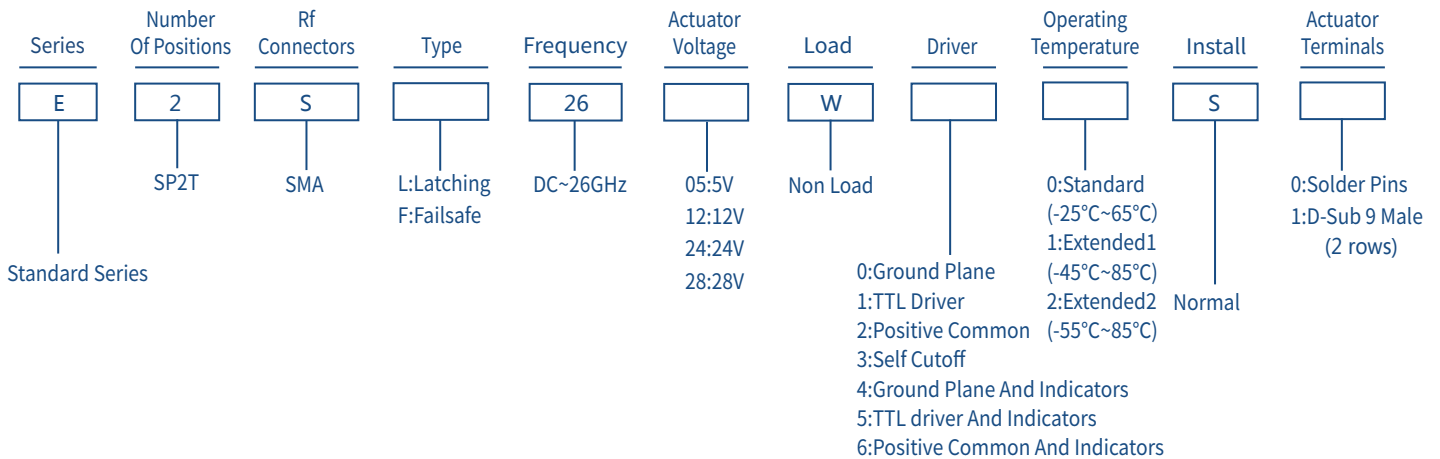
DB9 male

◆ Truth Table

Failsafe Non TTL				Failsafe TTL			
Actuator Terminals		RF Connector		Actuator Terminals		RF Connector	
Solder Pins/D-SUB 9Pin Male				Solder Pins/D-SUB 9Pin Male			
Pin No.	Define	No Power,RF 1-0		Pin No.	Define	No Power,RF 1-0	
1	V	RF 2-0		1	VDC	RF 2-0	
2	N/A	-		2	TTL	-	
3	GND	-		3	GND	-	
4	Ind.1	Indicators	RF 1-0	4	Ind.1	Indicators	RF 1-0
5	Ind.2		RF 2-0	5	Ind.2		RF 2-0
6	Ind.com		-	6	Ind.com		-
7	VDC		-	7~9	N/A		-
8~9	N/A	-					

Latching Non TTL				Latching TTL			
Actuator Terminals		RF Connector		Actuator Terminals		RF Connector	
Solder Pins/D-SUB 9Pin Male				Solder Pins/D-SUB 9Pin Male			
Pin No.	Define	-		Pin No.	Define	-	
1	V1	RF 1-0		1	VDC	-	
2	V2	RF 2-0		2	TTL	RF 1-0	
3	GND	-		3	GND	-	
4	Ind.1	Indicators	RF 1-0	4	TTL	RF 2-0	
5	Ind.2		RF 2-0	5	Ind.1	Indicators	RF 1-0
6	Ind.com		-	6	Ind.2		RF 2-0
7	VDC		-	7	Ind.com		-
8~9	N/A	-		8~9	N/A		-

◆ Product Selection



★ EXP: E2SL2605W00S0: Standard Series、SP2T、SMA、Latching、DC~26GHz、5V、Non Load、Ground Plane、Standard、Normal、Solder Pins.