

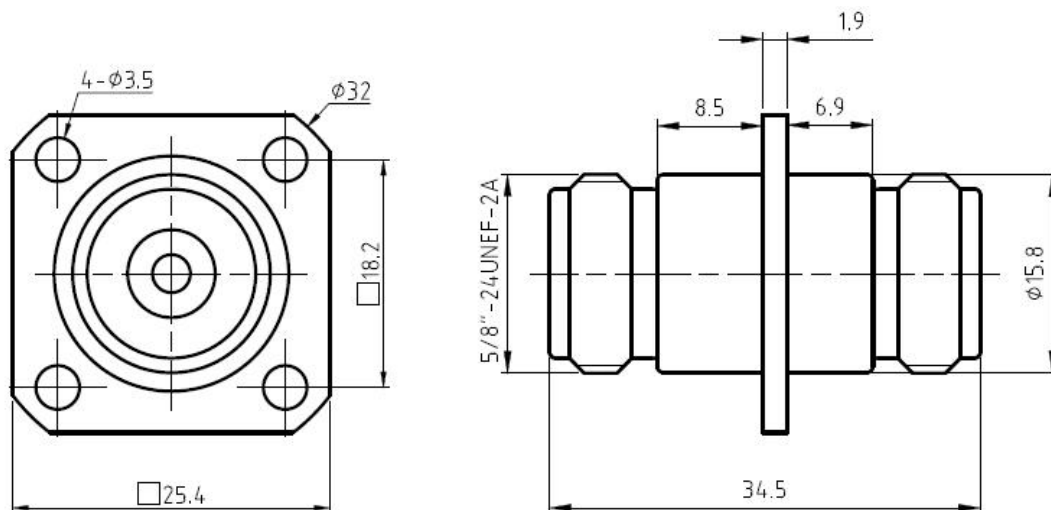
Coaxial Adapter

N/N-KFKG

1. Technical Specifications

Electrical Performance		Material and Plating	
Frequency Range	DC~18GHz	Outer Conductor	Stainless Steel SUS303, Passivated
VSWR	≤1.12	Inner Conductor	Beryllium Copper, Gold Plated
Insertion Loss	≤0.20dB	Dielectric	PEI
Characteristic Impedance	50Ω		
Mating Cycles	1000 times		

2.Outline Dimensions (Unit: mm)



3.Outline

