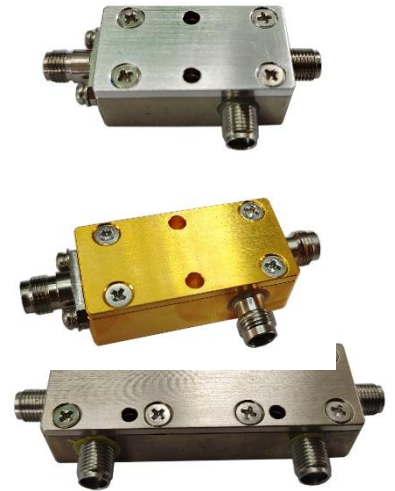


Bridge Directional Coupler

Product feature

- Ultra-wideband & ultra-low frequency directional coupler.
- High directivity and excellent coupling flatness.
- Compact size and light weight.

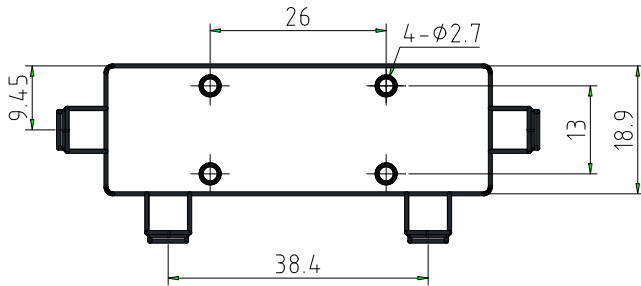


1. Dual directional bridge coupler

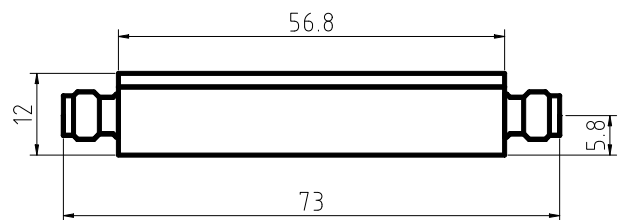
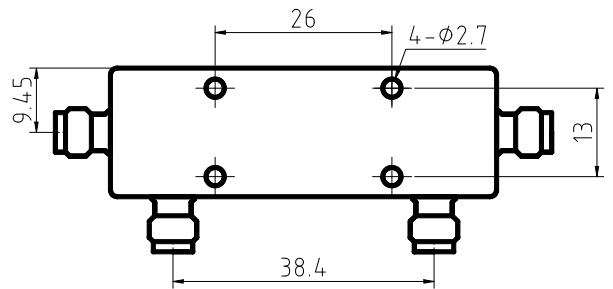
● Technical Specifications

Model	Frequency Range (GHz)	Insertion Loss (dB)	Return Loss (dB)	Coupling Value (dB)	Coupling Flatness	Directivity (dB)	Connector Type	Power Rating (Ave./Peak)
DQ021606	0.0003~6	3.8	22	16±1	1.0 dB	22	SMA(F)	1W / 10W
DQ021620	0.001-20	5	18	16±1	2.0 dB	20	2.92mm(F)	1W / 10W
DQ021626	0.001-26.5	5.5	16	16±1	2.0 dB	18	2.92mm(F)	1W / 10W
DQ421643	0.001-43.5	6.8	13	16±2	4.0 dB	14	2.92mm(F)	1W / 10W
DQ421650	0.001-50	7.2	12	16±2	4.5 dB	12	2.92mm(F)	1W / 10W

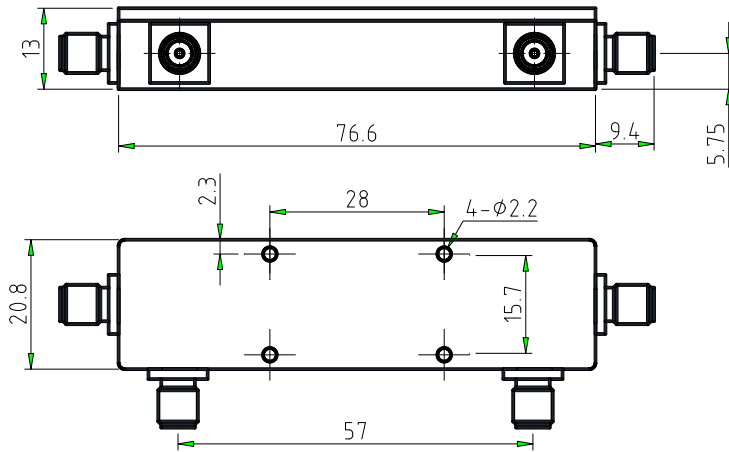
● Outline Dimensions(Unit: mm)



1MHz~20GHz/26.5GHz



1MHz~40GHz/43.5GHz/50GHz



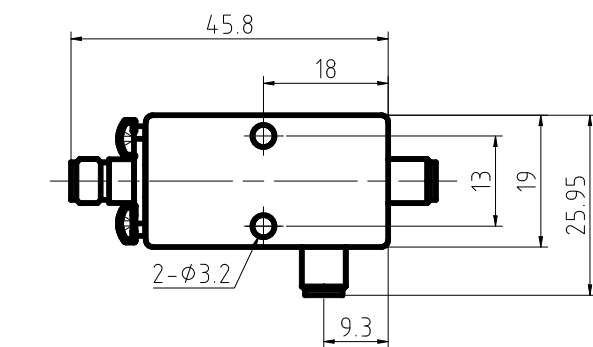
0.3MHz~6GHz

2. Single directional bridge coupler

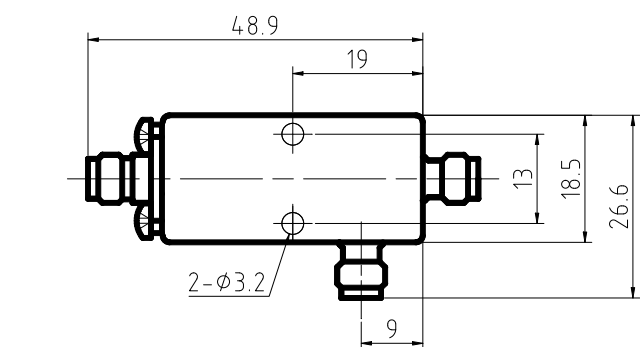
● Technical Specifications

Model	Frequency Range (GHz)	Insertion Loss (dB)	Return Loss (dB)	Coupling Value (dB)	Coupling Flatness	Directivity (dB)	Connector Type	Power Rating (Ave./Peak)
DQ011620	0.001-20	3.2	20	16±1.5	1.5 dB	20	2.92mm(F)	1W/10W
DQ011626	0.001-26.5	3	18	16±1.5	2.5 dB	18	2.92mm(F)	1W/10W
DQ411640	0.001-40	4	15	16±2	4 dB	15	2.4mm(F)	1W/10W
DQ411643	0.001-43.5	4	15	16±2	4 dB	15	2.4mm(F)	1W/10W
DQ411750	0.001-50	5	12	17.5±3	6 dB	10	2.4mm(F)	1W/10W

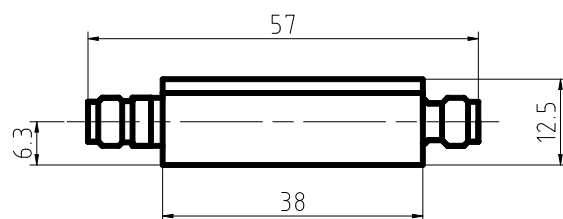
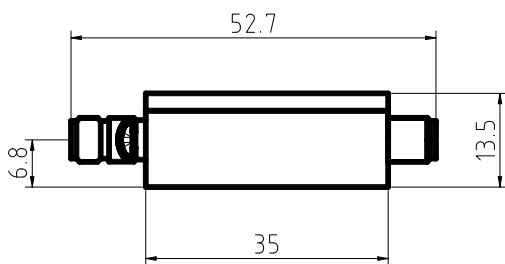
● Outline Dimensions(Unit: mm)



1MHz~20GHz/26.5GHz



1MHz~40GHz/43.5GHz/50GHz

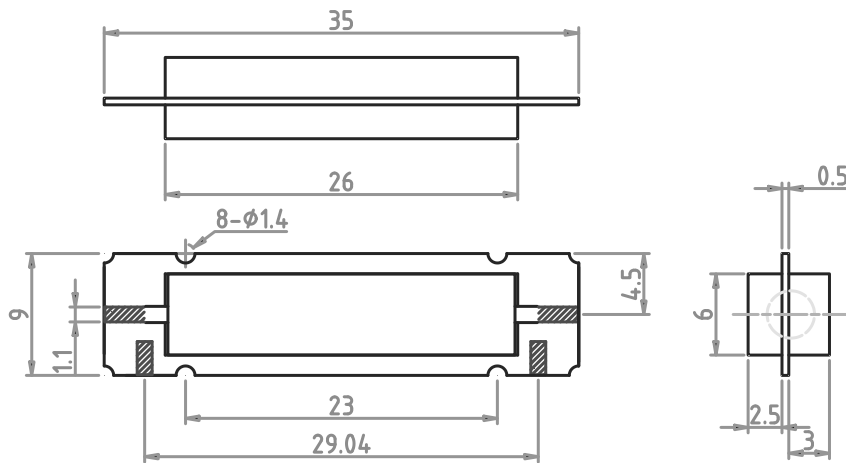


3. Embedded dual directional bridge coupler

● Technical Specifications

Model	Frequency Range (GHz)	Insertion Loss (dB)	Return Loss (dB)	Coupling Value (dB)	Coupling Flatness	Directivity (dB)	Connector Type	Power Rating (Ave./Peak)
DQ021606YZ	0.001-6	4	18	16±1	2dB	20	/	1w/10w

● Outline Dimensions(Unit: mm)



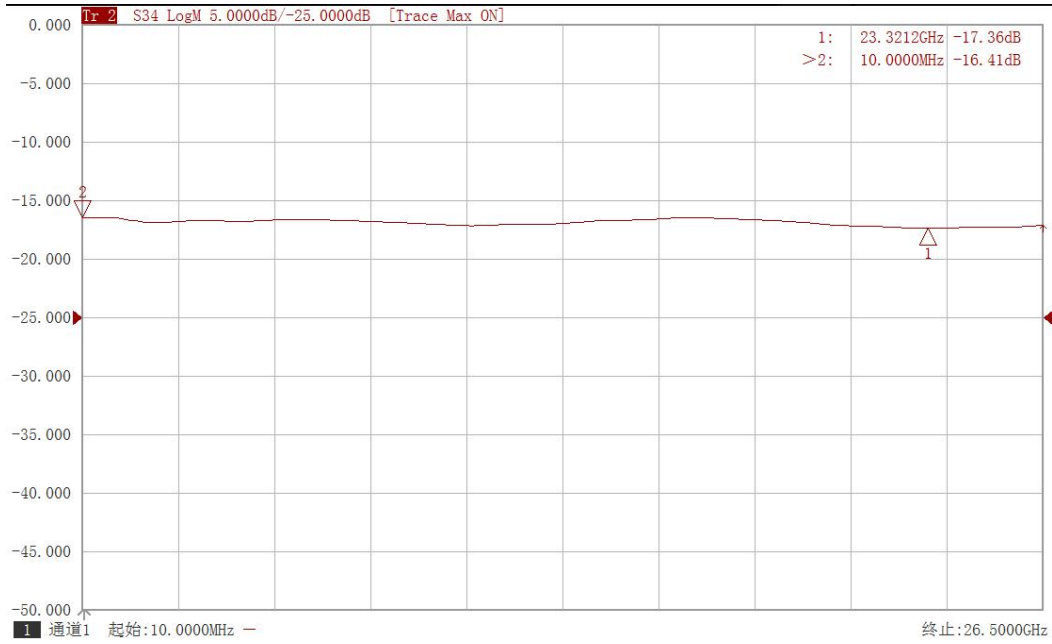
- Mounting Method: Embedded in PCB circuits, and connected to PCB striplines via soldering.

4. Test Curve

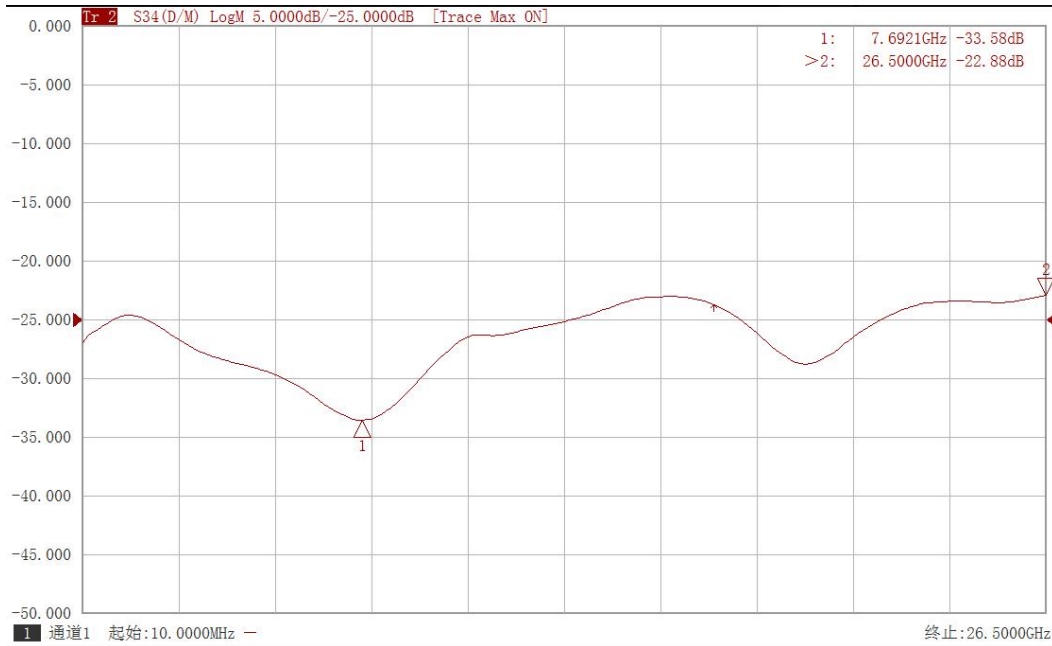
26.5GHz dual directional bridge coupler



Coupling Curve

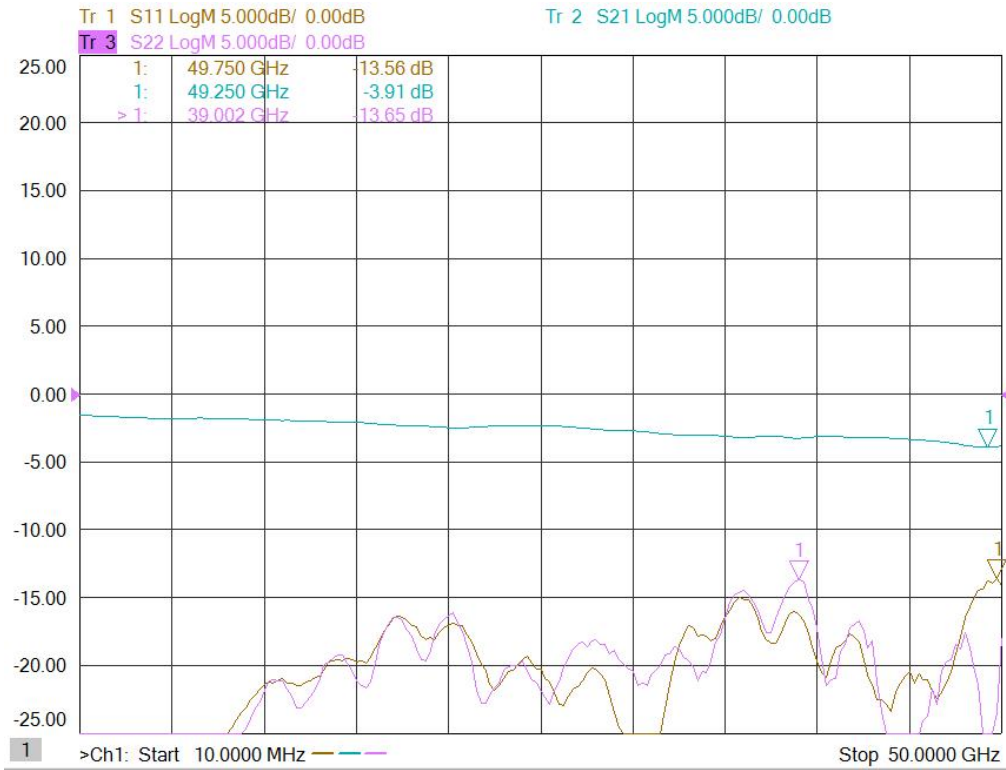


Directivity Curve

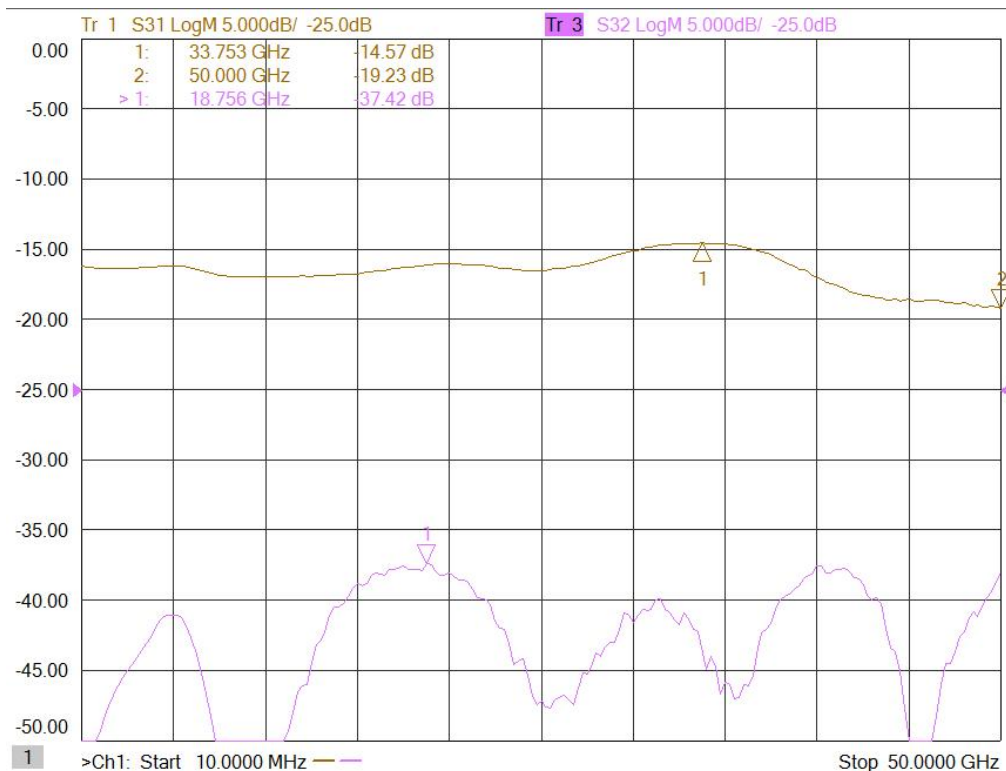


50GHz single directional bridge coupler

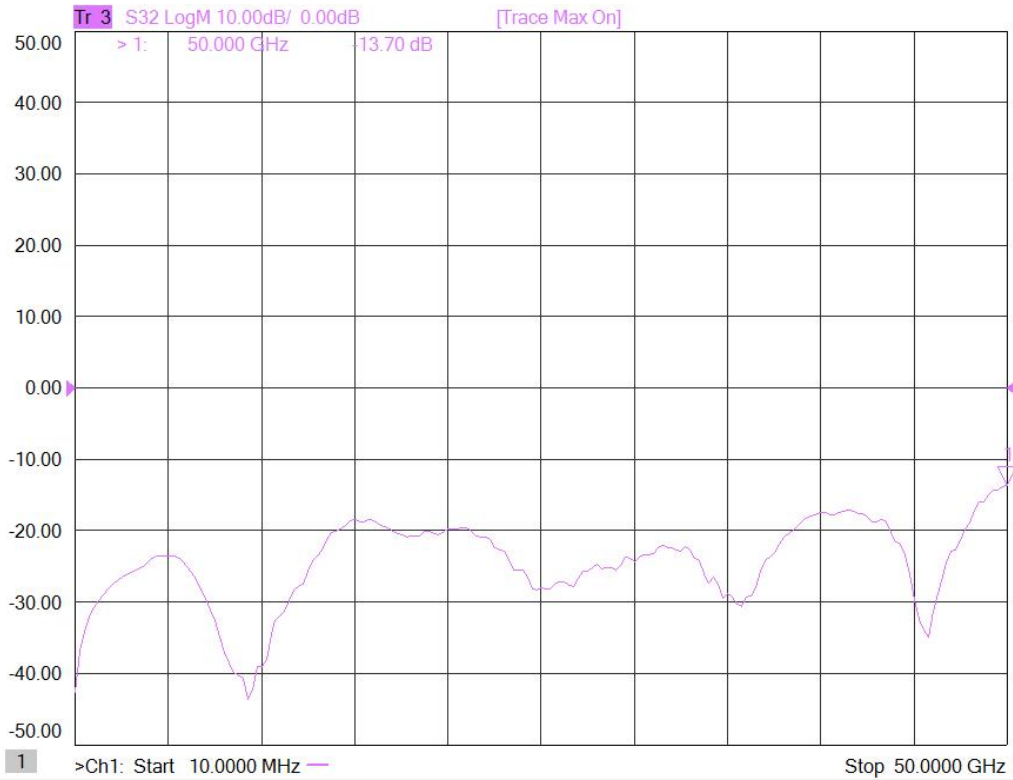
Insertion loss & Return Loss Curves



Coupling Curve

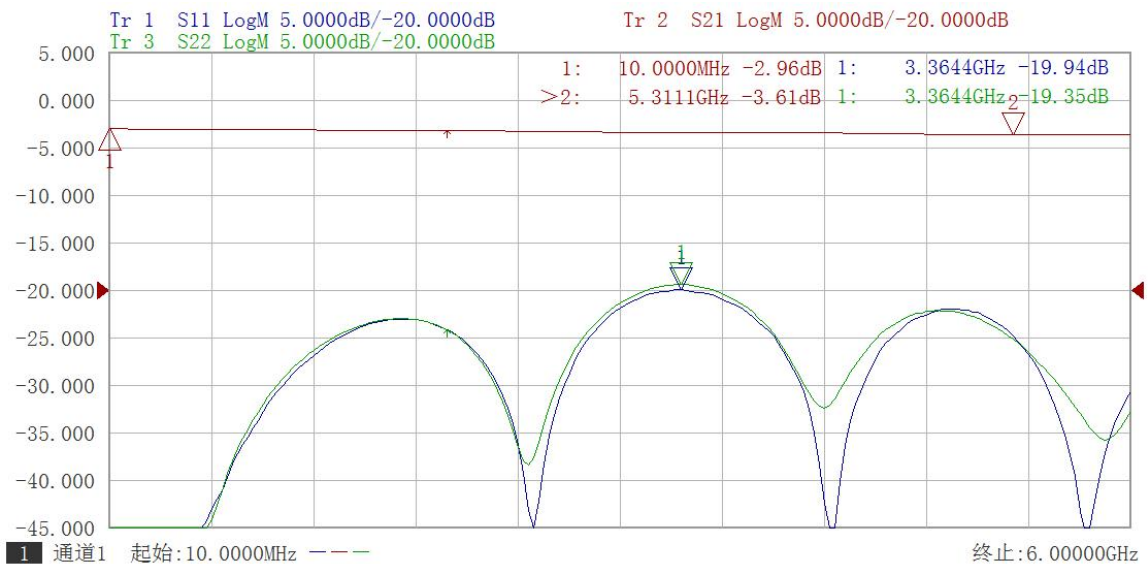


Directivity Curve



6GHz dual directional bridge coupler

Insertion loss & Return Loss Curves



Coupling Curve



Directivity Curve

